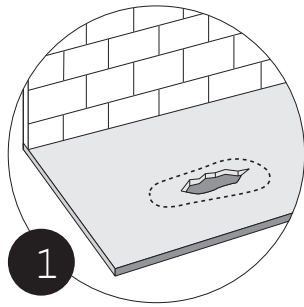
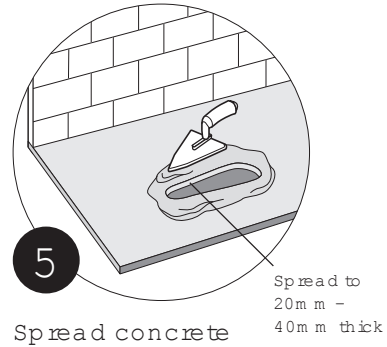


Installation guide

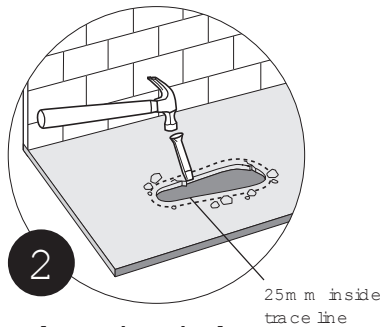
Concrete floor



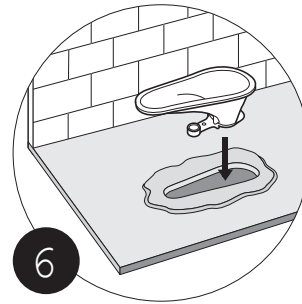
1 Trace pan shape



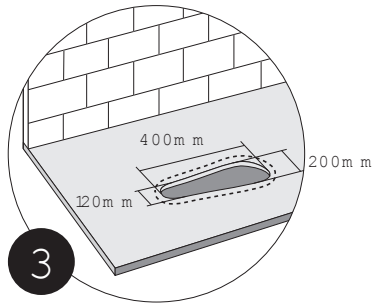
5 Spread concrete



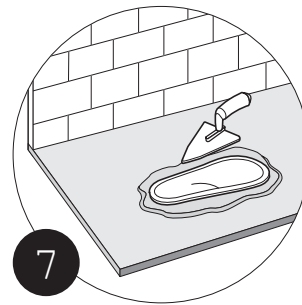
2 Enlarge drop hole
25mm inside trace line



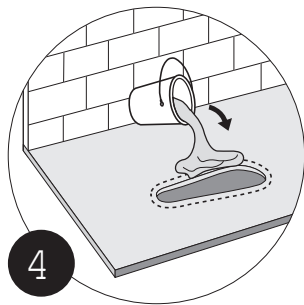
6 Press pan in concrete



3 Check pan fits hole



7 Remove excess



4 Add concrete

SATO
Smart, fresh toilets

PART OF LIXIL